

BY-B2045E

Emergency Exit Signal



Key Features

- ▶ High efficiency and low power
- ▶ Simple and generous appearance
- ▶ Safe and comfort
- ▶ Safety and performance in accordance with IEC 60598-2-22
- ▶ CE Certificate

TECHNICAL DATA

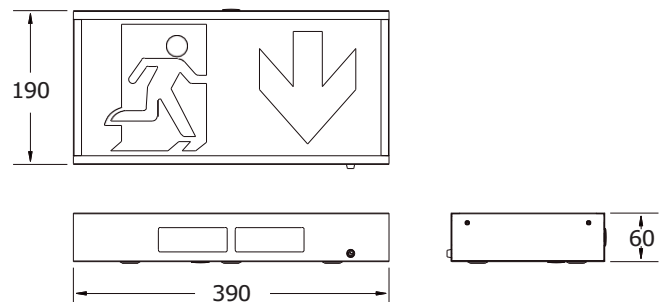
| | |
|----------------------|-------------------------------|
| Input | 220-240 VAC - 50 Hz – 0,04A |
| Light source | 12 x 0,2 watt white LED |
| Viewing distance | 30 meters |
| Input power | 4.5W |
| Luminous flux | > 22 Lumens |
| CCT | 6500k |
| Battery | Ni-Cd SC3.6V 2.0Ah |
| Discharge duration | >3h |
| Degree of protection | IP20 |
| Case materials | Cold steel and poly carbonate |
| Dimension (WxHxD) | 390 mm x 190 mm x 60 mm |
| Weight | 1.4 kg |

Model List

| Model No. | Operating mode | Direction |
|-----------|----------------|-----------|
| BY-B2045E | Maintained | Down |
| BY-B2145E | Maintained | Right |
| BY-B2245E | Maintained | Left |

BY-B2045E exit signal can be installed on walls or ceilings. It is particularly suitable for interiors such as offices, schools, universities and hospitals. It incorporates a green LED indicator that shows battery charging mode. Safety and performance according to EN 55015, EN 61347, EN 60598-1, EN 60598-2-22, EN 61000-3-2, EN 61000-3-3. The built-in battery unit ensures an emergency operation period higher than 3 hours.

Mechanical dimensions (all dimensions in mm)



Installation

