



**BOX-2101**  
Module Protective Housing (White)

**BOX-2102**  
MCP Protective Housing (Red)

## 1. Overview

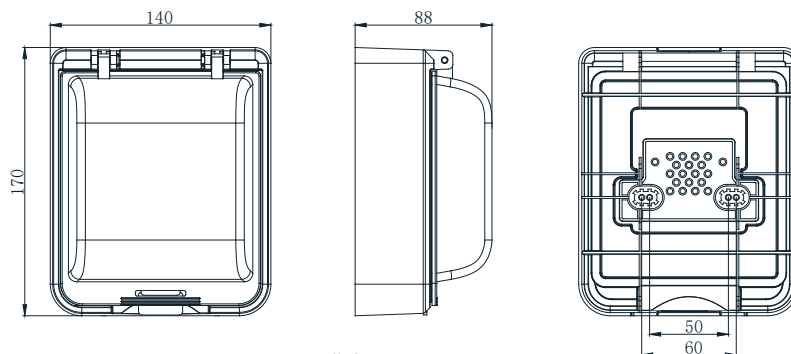
- The upper and lower casing is combined with internal sealing gaskets to achieve water and dust resistance.
- It has threaded mounting holes for fixing modules or MCPs without compromising the dust and moisture protection.
- The design of the protective case makes opening and closing quick and easy.
- The transparent upper casing allows real-time observation of the product's operation.
- The soft rubber at the base of the protective case can be perforated for cable insertion while maintaining its water and dust resistance.

## 2. Product parameters

Versions	BOX-2101: Top housing transparent; bottom housing white BOX-2102: Top housing transparent; bottom housing red
Housing material	Top housing PC; Bottom housing ABS
Dimensions	140mm × 170mm × 88mm (L×W×H)
IP classification	IP66

## 3. Installation instructions

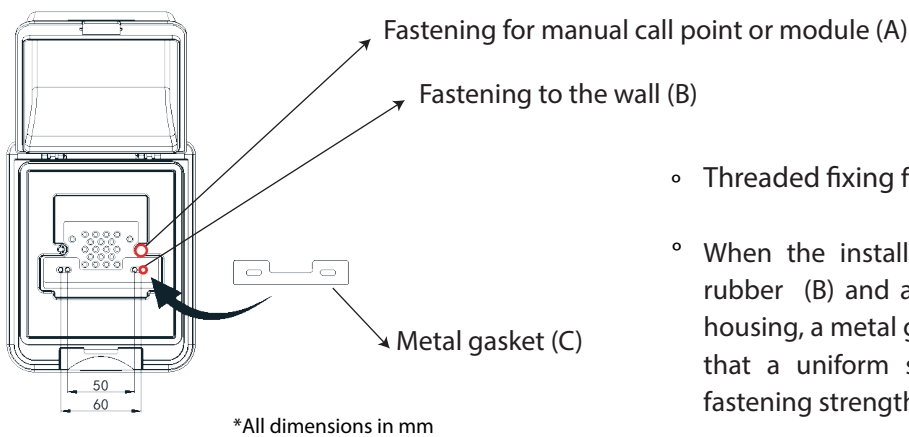
### 3.1 Dimensions



\*All dimensions in mm

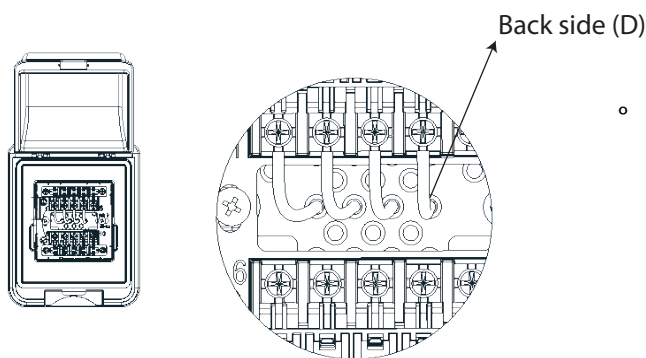


### 3.2 Wiring diagram of the installation of the product



- Threaded fixing for manual call point or module (A).
- When the installation screws pass through the soft rubber (B) and are fixed to the wall or flush-mounted housing, a metal gasket (C) in the front part. This ensures that a uniform stress is achieved and increases the fastening strength of the screws.

### 3.3 Example of a wiring diagram



- Use a small tool to make holes in the soft rubber of the back side (D) of the bottom housing. Only one cable should be inserted into each hole. Avoid making holes in the soft plastic that are too large, cut, or have multiple wires in one hole. It is recommended that the cable diameter be  $\varnothing$  1~3 mm.

## 4. Maintenance

---

Periodically check the rubber gasket, as well as the sealing and integrated rubber at the back. It is recommended to perform this inspection every 6 months.

## 5. Unpacking and inspection

---

After unpacking, this product should include:

Protective housing: 1
Metal gasket for protective housing: 1
Screws M4X16: 2

## 6. Notes and disclaimers

---

- During use, installation and maintenance must be carried out strictly in accordance with the description in this manual.
- Our company reserves the right of final interpretation of this manual.

